

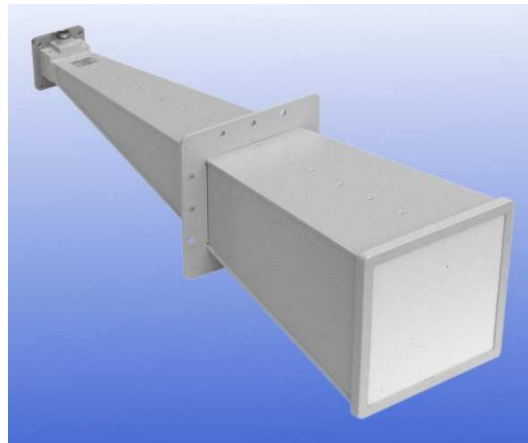


2 - 18 GHz Linearly Polarised High Gain Wideband Ridged Horn Antenna fitted with an N type Connector and Radome

Catalogue number **QWH-SL-2-18-N-HG-R**

Q-par reference **QMS-00476**

Contents **Summary**
Typical Gain / Antenna Factor
Typical Beamwidth
VSWR



Typical photograph. Finish according to customer specifications.

4TECT

ООО «4TECT»
Телефон: +7 (499) 685-4444
info@4test.ru
www.4test.ru

STEATITE
COMPUTING - POWER - COMMUNICATIONS
A Solid State Group Company

Typical Specification

Frequency	2 to 18 GHz
Connector Type	N type jack
Power Handling	80 Watt c.w.
VSWR	< 2.5:1
Gain	10 to 22 dBi
Antenna Factor	26.4 to 36.1 dB/m
3dB Beamwidth	8 to 59 degrees
10dB Beamwidth	14 to 114 degrees
Weight	2.4 kg
Maximum Size	65 mm x 165 mm ext. aperture, 622 mm long
Mounting	Mount plate, at centre of gravity, having 3 holes of diameter 6 mm at 35 mm centres, on all four sides.
Construction	Aluminium & engineering plastics. Painted

Typical Antenna Gain / Factor

This is calculated by reference to standard gain horn antennas, and cross checked with reference to the antenna beamwidth, with an estimated error of +/- 0.8dB.

