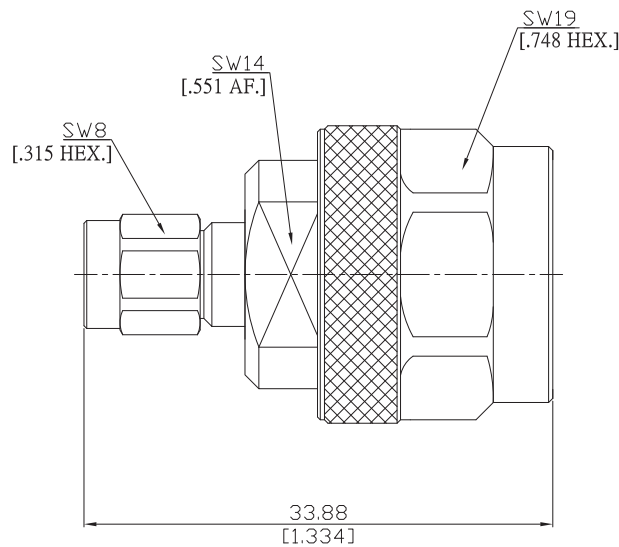


Adaptor plug/pl ug  
SMA plug (male) / Precision N plug (male)

ME1551



All dimensions are in mm [inch]  
Tolerances according to DIN ISO 2768-mH

**Interface**

SMA according to IEC 60169-15; MIL-C-39012; MIL-STD-348A/310  
Precision N according to IEC 60169-16; CECC 22 210; MIL-C-39012; MIL-STD-348A/304

**Electrical Data**

Impedance 50 Ω  
Frequency DC to 18 GHz  
VSWR (Return Loss) ≤ 1.15 (≥ 23.13 dB)  
Insertion Loss ≤ 0.04 x √F [GHz] dB

**Mechanical Data**

Coupling mechanisms SMA (Screw-lock); Precision N (Screw-lock)

**Environmental Data**

Temperature range -65°C to +165°C  
RoHS compliant

**Material And Plating**

Piece Parts (SMA)	Material	Plating
Centre contact	Beryllium Copper	Gold plating(Nickel underplated)
Body	Brass	Copper-Tin-Zinc Alloy
Insulator	PTFE	
Gasket	Silicone Rubber	
Coupling nut	Brass	Copper-Tin-Zinc Alloy

Piece Parts (Precision N)	Material	Plating
Centre contact	Beryllium Copper	Gold plating(Nickel underplated)
Body	Brass	Copper-Tin-Zinc Alloy
Insulator	PTFE	
Coupling nut	Brass	Copper-Tin-Zinc Alloy

**Packing**

Single or 100