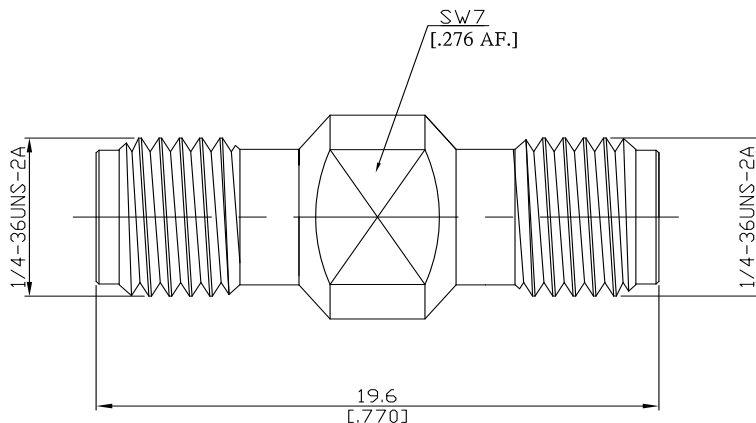


Adaptor jack/jack  
Precision SMA jack (female) / Precision SMA jack (female)

AME1536



All dimensions are in mm [inch]  
Tolerances according to DIN ISO 2768-mH

**Interface**

According to IEC 60169-15; MIL-C-39012; MIL-STD-348A/310

**Electrical Data**

Impedance 50 Ω  
Frequency DC to 26.5 GHz  
VSWR (Return Loss) ≤ 1.22 (≥ 20 dB)  
Insertion Loss ≤ 0.05 × √F (GHz) dB

**Mechanical Data**

Coupling mechanisms Screw-lock

**Environmental Data**

Temperature range -65°C to +165°C  
RoHS compliant

**Material And Plating**

Piece Parts (SMA)	Material	Plating
Centre contact	Beryllium Copper	Gold plating (Nickel underplated)
Body	Brass	Gold plating (Nickel underplated)
Insulator	PTFE	

Piece Parts (SMA)	Material	Plating
Centre contact	Beryllium Copper	Gold plating (Nickel underplated)
Body	Brass	Gold plating (Nickel underplated)
Insulator	PTFE	

**Packing**

Single or 100